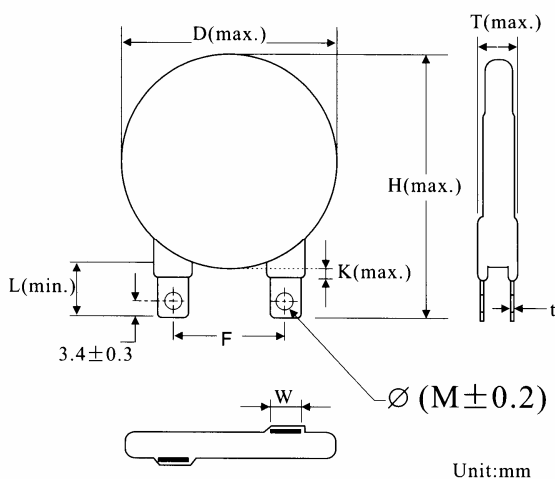


32D Specification

VCR Φ32mm	Maximum Allowable Voltage		Varistor Voltage V1.0mA (V)	Clamping Voltage (Max.)		Maximum Peak Current (8/20μs)		Maximum Energy (10/1000μs) JOULE	Typical Capacitance (Reference) @1KHz (pf)	UL	CS
	AC.rms (V)	DC (V)		VC (V)	IP (A)	In (A)	I Max (A)				
32D201K	130	170	200(185-225)	340	200	15000	25000	250	5200	*	*
32D241K	150	200	240(216-264)	395				290	5100	*	*
32D271K	175	225	270(243-297)	455				300	4800	*	*
32D331K	210	275	330(297-363)	550				360	4300	*	*
32D361K	230	300	360(324-396)	595				380	3900	*	*
32D391K	250	320	390(351-429)	650				400	3200	*	*
32D431K	275	350	430(387-473)	710				430	3100	*	*
32D471K	300	385	470(423-517)	775				460	2800	*	*
32D511K	320	415	510(459-561)	845				510	2700	*	*
32D621K	385	505	620(558-682)	1025				570	2400	*	*
32D681K	420	560	680(612-748)	1120				600	2200	*	*
32D751K	460	615	750(675-825)	1240				620	2000	*	*
32D781K	485	640	780(702-858)	1290				660	1900	*	*
32D821K	510	670	820(738-902)	1355				700	1800	*	*
32D911K	550	745	910(819-1001)	1500				750	1300	*	*
32D951K	575	765	950(855-1045)	1570				780	1200	*	*
32D102K	625	825	1000(900-1100)	1650				810	1100	*	*
32D112K	680	895	1100(990-1210)	1815				910	1000	*	*
32D122K	750	990	1200(1080-1320)	1980				960	920	*	*
32D142K	880	1140	1400(1260-1540)	2310				1020	800	*	*
32D162K	1000	1280	1600(1440-1760)	2640	1080	700	*	*			

Dimensions



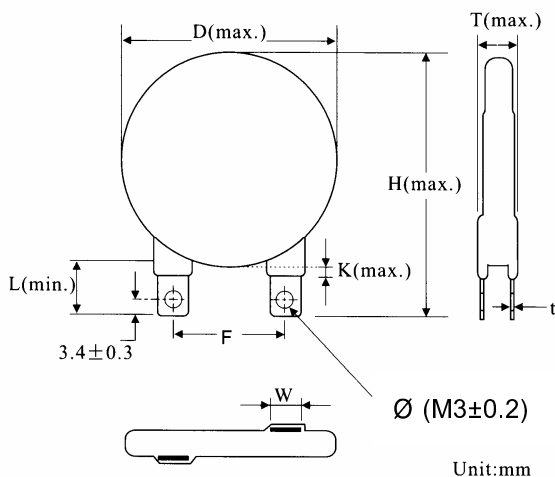
D (max.)	38
H (max.)	56.3
T (max.)	Ref.Tab1
F (±0.5)	25.4
t (±0.1)	0.5
L (min.)	16.5
K (max.)	3.18
W (±0.5)	7
Ø (M±0.2)	3.8

Model	T (max.)	Model	T (max.)
201K	6.2	751K	9.4
241K	6.4	781K	9.6
271K	6.6	821K	9.8
331K	6.9	911K	10.4
361K	7.1	951K	10.6
391K	7.3	102K	11.2
431K	7.5	112K	11.8
471K	7.8	122K	12.3
511K	8	142K	13.3
621K	8.7	162K	14.3
681K	9		

40D Specification

VCR Φ40mm	Maximum Allowable Voltage		Varistor Voltage V1.0mA (V)	Clamping Voltage (Max.)		Maximum Peak Current (8/20μs)		Maximum Energy (10/1000μs) JOULE	Typical Capacitance (Reference) @1KHz (pf)	UL	SP
	AC.rms (V)	DC (V)		VC (V)	IP (A)	In (A)	I Max (A)				
40D201K	130	170	200(185-225)	340	300	20000	40000	370	8400	*	*
40D241K	150	200	240(216-264)	395				430	8000	*	*
40D271K	175	225	270(243-297)	455				470	7600	*	*
40D331K	210	275	330(297-363)	550				550	6700	*	*
40D361K	230	300	360(324-396)	595				570	6200	*	*
40D391K	250	320	390(351-429)	650				590	5100	*	*
40D431K	275	350	430(387-473)	710				660	4900	*	*
40D471K	300	385	470(423-517)	775				720	4300	*	*
40D511K	320	415	510(459-561)	845				770	4200	*	*
40D621K	385	505	620(558-682)	1025				860	3800	*	*
40D681K	420	560	680(612-748)	1120				900	3500	*	*
40D751K	460	615	750(675-825)	1240				940	3200	*	*
40D781K	485	640	780(702-858)	1290				980	3000	*	*
40D821K	510	670	820(738-902)	1355				1080	2900	*	*
40D911K	550	745	910(819-1001)	1500				1150	2200	*	*
40D951K	575	765	950(855-1045)	1570				1200	2000	*	*
40D102K	625	825	1000(900-1100)	1650				1260	1800	*	*
40D112K	680	895	1100(990-1210)	1815				1380	1600	*	*
40D122K	750	990	1200(1080-1320)	1980				1380	1500	*	*
40D142K	880	1140	1400(1260-1540)	2310				1550	1300	*	*
40D162K	1000	1280	1600(1440-1760)	2640				1700	1150	*	*

Dimensions



D (max.)	45
H (max.)	60.2
T (max.)	Ref.Tab1
F (±0.5)	25.4
t (±0.1)	0.5
L (min.)	16.5
K (max.)	3.18
W (±0.5)	7
Ø (M3±0.2)	3.8

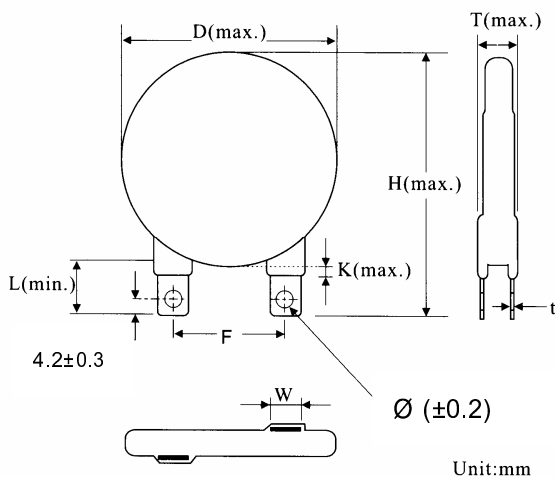
Tab1.

Model	T (max.)	Model	T (max.)
201K	6.2	751K	9.4
241K	6.4	781K	9.6
271K	6.6	821K	9.8
331K	6.9	911K	10.4
361K	7.1	951K	10.6
391K	7.3	102K	11.2
431K	7.5	112K	11.8
471K	7.8	122K	12.3
511K	8	142K	13.3
621K	8.7	162K	14.3
681K	9		

53D Specification

VCR Φ53mm	Maximum Allowable Voltage		Varistor Voltage V1.0mA (V)	Clamping Voltage (Max.)		Maximum Peak Current (8/20μs)		Maximum Energy (10/1000μs) JOULE	Typical Capacitance (Reference) @ 1KHz (pf)	RU	SF
	AC.rms (V)	DC (V)		VC (V)	IP (A)	In (A)	I Max (A)				
	53D201K	130	170	200(185-225)	340	500	40000	70000	550		
53D241K	150	200	240(216-264)	395	650				12500	*	*
53D271K	175	225	270(243-297)	455	700				11000	*	*
53D331K	210	275	330(297-363)	550	825				9000	*	*
53D361K	230	300	360(324-396)	595	850				8500	*	*
53D391K	250	320	390(351-429)	650	885				7500	*	*
53D431K	275	350	430(387-473)	710	990				7000	*	*
53D471K	300	385	470(423-517)	775	1080				6500	*	*
53D511K	320	415	510(459-561)	845	1150				6000	*	*
53D621K	385	505	620(558-682)	1025	1300				5000	*	*
53D681K	420	560	680(612-748)	1120	1350				4500	*	*
53D751K	460	615	750(675-825)	1240	1400				4000	*	*
53D781K	485	640	780(702-858)	1290	1450				3900	*	*
53D821K	510	670	820(738-902)	1355	1600				3700	*	*
53D911K	550	745	910(819-1001)	1500	1700				3300	*	*
53D951K	575	765	950(855-1045)	1570	1800				3200	*	*
53D102K	625	825	1000(900-1100)	1650	1890				3000	*	*
53D112K	680	895	1100(990-1210)	1815	2050				2700	*	*
53D122K	750	990	1200(1080-1320)	1980	2050				2500	*	*
53D142K	880	1140	1400(1260-1540)	2310	2300				2150	*	*
53D162K	1000	1280	1600(1440-1760)	2640	2500				1900	*	*

Dimensions



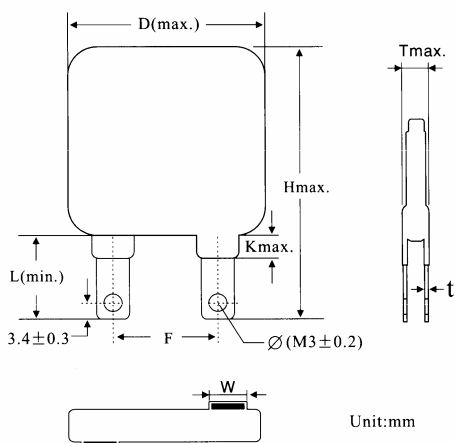
D (max.)	60
H (max.)	78.2
T (max.)	Ref.Tab1
F (±0.5)	25.4
t (±0.1)	0.7
L (min.)	16.5
K (max.)	3.18
W (±0.5)	9.7
Ø (±0.2)	4.15

Model	T (max.)	Model	T (max.)
201K	6.3	751K	9.5
241K	6.5	781K	9.7
271K	6.7	821K	9.9
331K	7.0	911K	10.5
361K	7.2	951K	10.7
391K	7.4	102K	11.3
431K	7.6	112K	11.9
471K	7.9	122K	12.4
511K	8.1	142K	13.4
621K	8.8	162K	14.4
681K	9.1		

34S Specification

VCR 34x34mm	Maximum Allowable Voltage		Varistor Voltage V1.0mA (V)	Clamping Voltage (Max.)		Maximum Peak Current (8/20μs)		Maximum Energy (10/1000μs) JOULE	Typical Capacitance (Reference) @1KHz (pf)	UL	SP
	AC,rms (V)	DC (V)		VC (V)	IP (A)	In (A)	I Max (A)				
34S201K	130	170	200(185-225)	340	300	20000	40000	330	8000	*	*
34S221K	140	180	220(198-242)	360				360	7800	*	*
34S241K	150	200	240(216-264)	395				390	7600	*	*
34S271K	175	225	270(243-297)	455				420	7200	*	*
34S331K	210	275	330(297-363)	550				500	6400	*	*
34S361K	230	300	360(324-396)	595				510	6000	*	*
34S391K	250	320	390(351-429)	650				530	4800	*	*
34S431K	275	350	430(387-473)	710				600	4600	*	*
34S471K	300	385	470(423-517)	775				650	4100	*	*
34S511K	320	415	510(459-561)	845				700	4000	*	*
34S561K	350	460	560(504-616)	925				730	3800	*	*
34S621K	385	505	620(558-682)	1025				780	3600	*	*
34S681K	420	560	680(612-748)	1120				810	3300	*	*
34S751K	460	615	750(675-825)	1240				850	3000	*	*
34S781K	485	640	780(702-858)	1290				930	2850	*	*
34S821K	510	670	820(738-902)	1355				970	2700	*	*
34S911K	550	745	910(819-1001)	1500				1050	2100	*	*
34S951K	575	765	950(855-1045)	1570				1080	1900	*	*
34S102K	625	825	1000(900-1100)	1650				1120	1700	*	*
34S112K	680	895	1100(990-1210)	1815				1250	1520	*	*
34S122K	750	990	1200(1080-1320)	1980				1250	1400		*
34S142K	880	1140	1400(1260-1540)	2310				1400	1250		*
34S162K	1000	1280	1600(1440-1760)	2640				1500	1100		*

Dimensions



D (max.)	44
H (max.)	56.6
T (max.)	Ref.Tab1
F (±0.5)	25.4
t (±0.1)	0.5
L (min.)	16.5
K (max.)	3.18
W (±0.5)	7
Ø (M3±0.2)	3.8

Tab1.

Model	T (max.)	Model	T (max.)	Model	T (max.)
201K	6.2	621K	8.7	162K	14.3
221K	6.3	681K	9.0		
241K	6.4	751K	9.4		
271K	6.6	781K	9.6		
331K	6.9	821K	9.8		
361K	7.1	911K	10.4		
391K	7.3	951K	10.6		
431K	7.5	102K	11.2		
471K	7.8	112K	11.8		
511K	8.0	122K	12.3		
561K	8.3	142K	13.3		