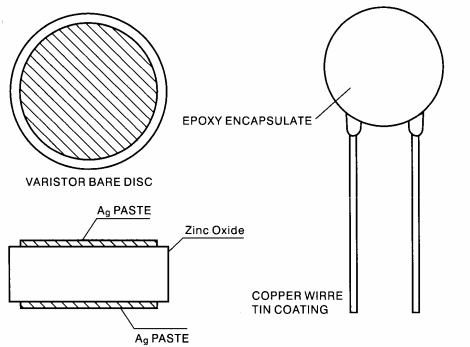
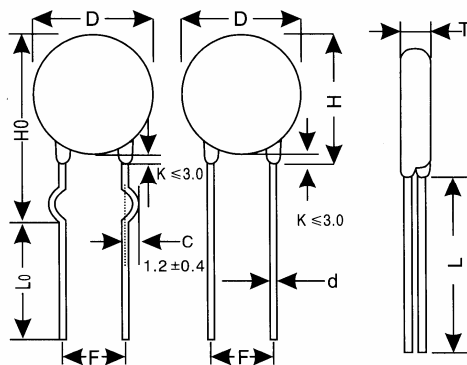


Materials T Thickness (max) (Unit: mm)



DIMENSION



L0: 15mm min L: 20mm min

Size	MAX			d ±0.05	F	C ±0.4
	D	H	H0			
05D	7.5	10.5	13	0.6	5 ± 0.8	1.2
07D	9	12	13.5	0.6	5 ± 0.8	
10D	12.5	16.5	17.5	0.8	7.5 ± 0.8	1.4
14D	16.5	20	21	0.8	7.5 ± 0.8	
20D	23	26.5	28	0.8	7.5 ± 0.8	1.4
				1.0	10 ± 1.0	1.6
25D	28	32	34	1.0	10 ± 1.0	1.6
					12.7 ± 1.0	

*Or per customer's request.

Part Code	05D	07D	10D	14D	20D	25D
180L	4.5	4.5	4.6	4.6	4.8	4.8
220K	4.6	4.6	4.7	4.7	4.9	4.9
270K	4.7	4.7	4.8	4.8	5.0	5.0
330K	4.9	4.9	5.0	5.0	5.2	5.2
390K	4.8	4.8	5.3	5.3	5.5	5.5
470K	4.9	4.9	5.4	5.4	5.6	5.6
560K	5.0	5.0	5.5	5.5	5.7	5.7
680K	5.2	5.2	5.6	5.6	5.8	5.8
820K	4.1	4.1	4.7	4.7	4.9	4.9
101K	4.3	4.3	4.9	4.9	5.1	5.1
121K	4.5	4.5	5.1	5.1	5.3	5.3
151K	4.8	4.8	5.4	5.4	5.6	5.6
181K	4.3	4.3	4.8	4.8	5.0	5.2
201K	4.4	4.4	5.0	5.0	5.2	5.4
221K	4.5	4.5	5.1	5.1	5.3	5.5
241K	4.6	4.6	5.2	5.2	5.4	5.6
271K	4.9	4.9	5.4	5.4	5.6	5.8
301K	5.0	5.0	5.5	5.5	5.7	5.9
331K	5.1	5.1	5.8	5.8	6.0	6.1
361K	5.2	5.2	6.0	6.0	6.2	6.4
391K	5.4	5.4	6.2	6.2	6.4	6.6
431K	5.7	5.7	6.5	6.5	6.7	6.9
471K	6.0	6.0	6.7	6.7	6.9	7.1
511K	6.2	6.2	6.8	6.8	7.0	7.2
561K	6.5	6.5	7.0	7.0	7.2	7.4
621K	-	7.1	7.3	7.3	7.5	7.7
681K	-	7.3	7.6	7.6	7.8	8.0
751K	-	-	8.0	8.0	8.2	8.4
781K	-	-	8.1	8.1	8.3	8.5
821K	-	-	8.3	8.3	8.5	8.7
911K	-	-	8.8	8.8	9.0	9.2
102K	-	-	9.3	9.3	9.5	9.7
112K	-	-	9.9	9.9	10.1	10.3
122K	-	-	-	10.4	10.6	11.8
182K	-	-	-	13.0	13.2	15.2