

VCR

METAL OXIDE VARISTORS

Failed Safe Varistor



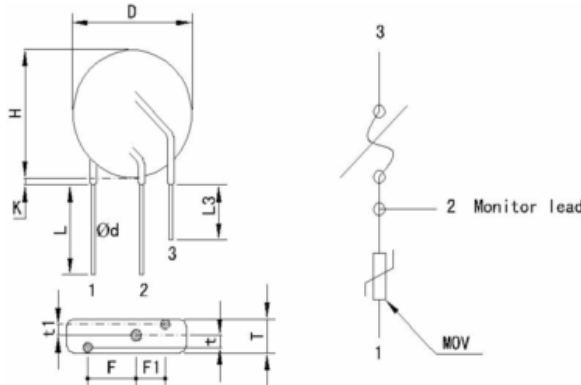
HOW TO ORDER :

VCR - 20 T 471 K

Marking: VCR Failed Save Varistor	DISC Dia. 14 Ø15.0 mm 20 Ø20.0 mm	TYPE T Thermal fuse varistor (fuse on the third lead) F Thermal fuse varistor (fuse on the second lead)	Varistor Voltage The first 2 digits are significant figures and the third one denotes the number of zeros following decimal point is expressed by R. Examples: 470 47x10 ⁰ = 47V 471 47x10 ¹ = 470V	Tolerance J ±5% K ±10%
---	--	---	---	------------------------------

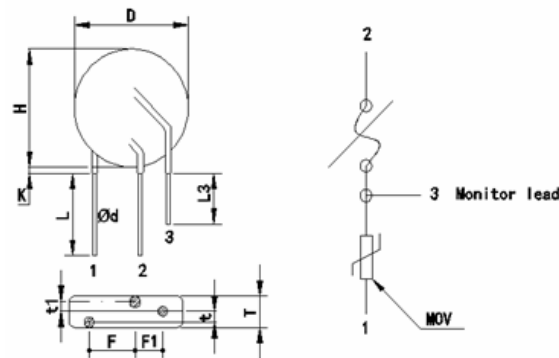
T series

Fuse on the third lead



F series

Fuse on the second lead



Thickness T (max.) (Unit:mm)

Part Code	14T		20T	
	t (±0.3)	T (Max.)	t (±0.32)	T (Max.)
820K	1.59	5.59	1.59	5.59
101K	1.77	5.77	1.77	5.77
121K	1.96	5.96	1.96	5.96
151K	2.23	6.23	2.23	6.23
181K	2.50	6.50	2.50	6.50
201K	2.10	6.10	2.10	6.10
221K	==	==	2.43	6.43
241K	==	==	2.57	6.57
271K	==	==	2.78	6.78
331K	==	==	2.91	6.91
391K	==	==	3.29	7.29
431K	==	==	3.54	7.54
471K	==	==	3.79	7.79
511K	==	==	4.04	8.04
621K			4.73	8.7
681K			5.10	9.1

Sizes mm	MAX		t(±0.3)	d Ø (±0.1)	F(±1.0)	F1(±1.0)	K Max.
	D	H					
14T	17.0	20.0	0.6	0.8	7.5	5.0	3.5
20T	22.0	25.0	0.6	0.8	7.5	5.0	3.5

14T.20T (Thermal fuse) Specification

Model Number		Maximum Allowable Voltage		Varistor Voltage		Clamping voltage (max.)		Rated voltage	In.	i Max.	Maximum Energy (Joule)	Typical Capacitance (Reference)
fuse on the third lead	fuse on the second lead	AC. Rms	DC	V1.0mA (V)		VC	IP	reference	15 times	1time	10/1000	@ 1KHz
		(V)	(V)	min.	max.	(V)	(A)		(V)	A (8/20us)		μs
14T820K	14F820K	50	65	74	90	135	50	DC 48	3000	6000	27	2400
14T101K	14F101K	60	85	90	110	165	50				33	2000
14T121K	14F121K	75	100	108	132	200	50				40	1700
14T201K	14F201K	130	170	185	225	340	50	AC 125	3000	6000	70	1000
20T820K	20F820K	50	65	74	90	135	100	DC 48	5000	10000	56	4900
20T101K	20F101K	60	85	90	110	165	100				70	4000
20T121K	20F121K	75	100	108	132	200	100	85			3300	
20T151K	20F151K	95	125	135	165	250	100	106			2700	
20T181K	20F151K	115	150	162	198	300	100	13			2200	
20T201K	20F201K	130	170	185	225	340	100	145			2000	
20T221K	20F221K	140	180	198	242	360	100	155			1800	
20T241K	20F241K	150	200	222	270	395	100	AC 125	5000	10000	168	1650
20T271K	20F271K	180	225	256	310	455	100				190	1500
20T331K	20F331K	210	275	297	363	455	100				228	1200
20T391K	20F391K	250	320	371	449	650	100	AC 250			275	1000
20T431K	20F431K	275	350	410	496	710	100				305	930
20T471K	20F471K	300	385	423	517	775	100				350	850
20T511K	20F511K	320	415	459	561	845	100				360	780
25T621K	20F621K	385	505	558	682	1025	100				390	650
20T681K	20F681K	420	560	612	748	1120	100				400	600